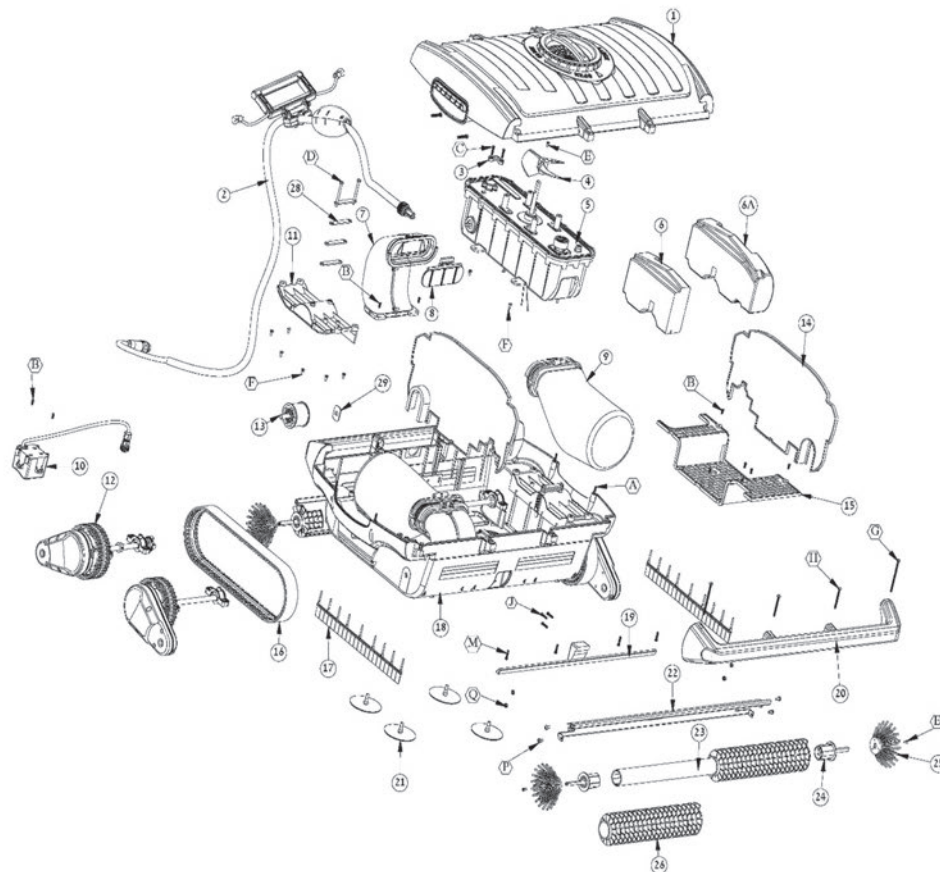
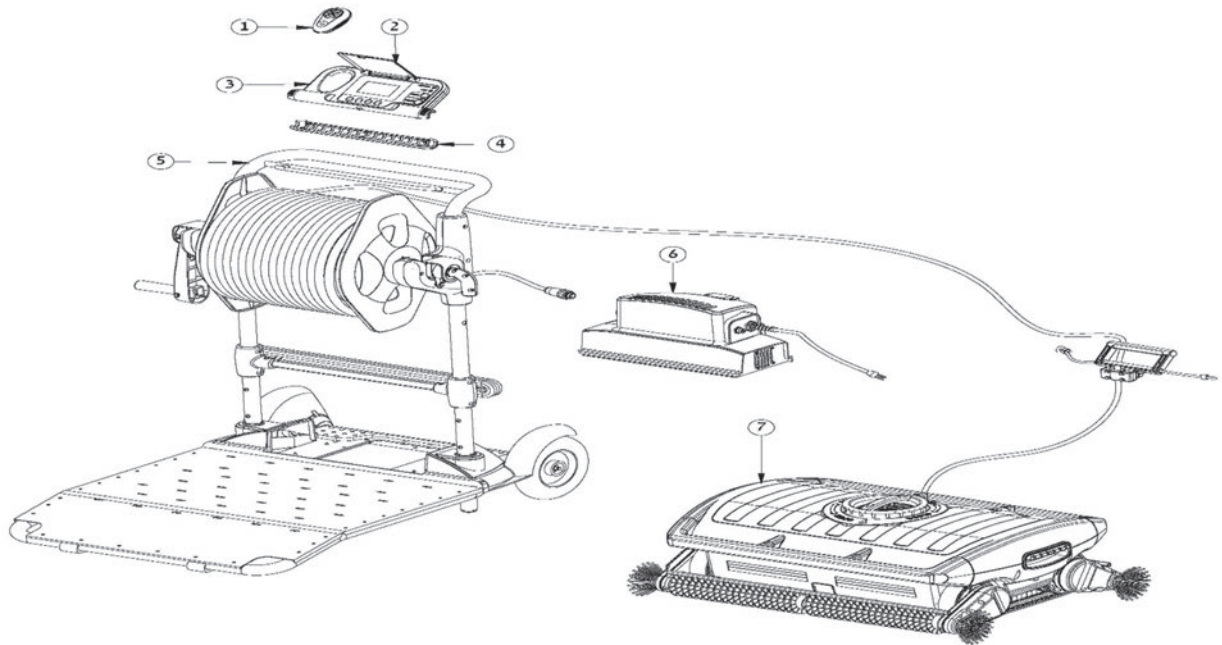




WAVE 300 XL

REV052019



Productos QP sólo garantiza la calidad, rendimiento y seguridad de sus productos cuando se ensamblan con piezas originales del fabricante. El uso de piezas no originales anulará toda garantía.

WAVE 300 XL. REV052019

| PIEZA N° | DESCRIPCIÓN | COD. | COD. PROVEEDOR | TARIFA INDUSTRIAL € |
|--------------|---|----------|-----------------|---------------------|
| 1 | MANDO DISTANCIA WAVE 300XL | 9995412 | 9995412-ASSY | |
| 2 | MMI COVER | - | 9991039-ASSY | |
| 3 | MMI WAVE | - | 9995993-ASSY | |
| 4 | WAVE - MMI OMEGA | - | 9980490 | |
| 5 | CADDY WAVE 2014 | - | 9996088-ASSY | |
| 6 | PS WAVE 230V ASSY EU | - | 99956024-EU-ASS | |
| 07.01.01 | WAVE - MAIN LOCKER | - | 9980364 | |
| 07.01.02 | ORING FOR WAVE TOP COVER LOCKER | - | 3862258 | |
| 07.01.03 | OUTER CASING WAVE - TOP COVER | - | 9980412 | |
| 07.01.04 | WAVE - LOCKING ADAPTOR | - | 9980365 | |
| 07.01.05 | WAVE - IMPELLER TUBE | - | 9980400 | |
| 07.01.06 | OUTER CASING WAVE - TOP BODY | - | 9980310 | |
| 07.01.07 | HANDLE WAVE SIDE | - | 9980370 | |
| 07.01.08 | WAVE - TOP COVER ASSY | - | 99952070-ASSY | |
| 07.01.09 | WAVE - TOP BODY + BUSHING ASSY | - | 9991037-ASSY | |
| 07.02.01 | GROMET 635 FOR WAVE | - | 9980403 | |
| 07.02.02 | FLOAT ASSY FOR CABLE WAVE | - | 99960087 | |
| 07.02.03 | CABLE DIY WAVE 43M | - | 9995810-DIY | |
| 07.02.03A | CABLE DIY 3W 50M 046 WAVE | - | 9995809-DIY | |
| 07.02.04 | RETROFIT FOR CABLE CON. - WAVE | - | 9991274 | |
| 07.02.04.01 | CONECTOR DE 3 PIN | 9985048 | 9985048 | |
| 07.02.04.02 | CABLE CRIMP 10-12# 20A 3.18MM | - | 1811602LF | |
| 07.02.04.02A | PIN CONECTOR MOTOR | 1811404 | 1811404 | |
| 07.02.04.03 | PLASTIC WASHER 9.5MM X 2MM | - | 9985028 | |
| 07.02.04.04 | RK RING FOR CABLE CONN. | - | 3861002 | |
| 07.02.04.05 | WASHER-INSIDE DIA. 13MM | - | 9980025 | |
| 07.02.05 | NYLON STRING + FASTEN RINGS ASSY | - | 9991042-ASSY | |
| 07.02.06 | WAVE - CABLE HANDLE | - | 9980394 | |
| 07.02.07 | WAVE - PULLING HANDLE ASSY | - | 9991020-ASSY | |
| 07.02.08 | CORK FOR CABLE HANDLE WAVE | - | 9985449 | |
| 07.02.09 | CIRCLIP DIA.8MM A2 | - | 3506799 | |
| 07.02.10 | WAVE - SHAFT FOR CABLE HANDLE | - | 5581002 | |
| 07.02.11 | WAVE - CABLE HANDLE - UPPER PART | - | 9980393 | |
| 07.02.12 | WAVE - CABLE HANDLE - LOWER PART | - | 9980392 | |
| 07.02.13 | CABLE CONECTOR MACHO 4P | 5000017 | 5000017 | |
| 07.03 | WAVE - CABLE OMEGA | - | 9980395 | |
| 07.04 | WAVE - IMPELLER | - | 9985262 | |
| 07.05.02 | MU WAVE 300 XL EX | - | 99953036-EX | |
| 07.06 | WAVE - SIDE FLOAT SMALL | - | 6250937 | |
| 07.06A | WAVE - SIDE FLOAT | - | 9980402 | |
| 07.07 | WAVE - SUCTION TUBE | - | 9991012 | |
| 07.08 | NON RETURN FLAP FOR WAVE XL TUBE | - | 9980363 | |
| 07.09.01 | BOLSA DE FILTRO STANDAR 70 MICRAS+SOPORTE | 9991402 | 9991402 | |
| 07.09.02 | BOLSA DE FILTRO 150 MICRAS +SOPORTE | 9991403 | 9991403 | |
| 07.09.03 | BOLSA DE FILTRO 50 MICRAS+SOPORTE | 9991401 | 9991401 | |
| 07.09.04 | FILTER BAG DISPOSABLE WAVE 10 UN | - | 9991443-ASSY | |
| 07.10 | WAVE 200/300 NAVIGATION BOX ASSY | - | 9991720-ASSY | |
| 07.11 | WAVE - TRACK TENSION BASE ASSY | - | 9991041-ASSY | |
| 07.12.01 | WAVE - BRUSH ARM ASSY | - | 9991014-ASSY | |
| 07.12.02 | WAVE - ACETAL WASHER 29-12.5 | - | 9980312 | |
| 07.12.03 | WHEEL ASSY WAVE T10 SHORT SHAFT | - | 9991314 | |
| 07.12.04 | WAVE - BEARING COVER | - | 9980311 | |
| 07.12.05 | SLEEVE BEARING 12MM ASSY WAVE | - | 9991316 | |
| 07.12.07 | WAVE - COUPLING ADAPTOR 12 MM' | - | 9980313 | |
| 07.12.08 | WAVE - OUTER RING WITH PINS | - | 9980390 | |
| 07.12.09 | WAVE - PU ADAPTOR | - | 9980391 | |
| 07.12.10 | WAVE - COUPLING ADAPTOR 8 MM' | - | 9980389 | |
| 07.12.11 | WAVE - BRUSH ARM+SPURWHEEL ASSY | - | 9991015-ASSY | |
| 07.12.12 | WAVE - BUSHING FOR WHEEL - 36 | - | 5580372 | |
| 07.12.13 | WAVE - SPURWHEEL - 26 | - | 9980382 | |
| 07.12.14 | WAVE - SPURWHEEL - 36 | - | 9980383 | |
| 07.12.15 | WAVE - SPURWHEEL - 56 | - | 9980384 | |
| 07.12.16 | WHEEL ASSY WAVE T10 LONG SHAFT | - | 9991315 | |
| 07.12.18 | STOPPER RING WAVE | - | 5580634 | |
| 07.13 | WAVE XL - TRACK TENSION WHEEL | - | 9991312 | |
| 07.14 | WAVE - VERTICAL PARITING NET | - | 9980396 | |
| 07.15 | WAVE - BOTTOM NET | - | 9980397 | |
| 07.16 | WAVE BELT T10/980 | - | 3889200 | |
| 07.17 | TRACK SIDE VACUUM CLOSING | - | 9980342 | |
| 07.18 | WAVE-MAIN BODY-BOTTOM+BUSHINGS | - | 9993301 | |
| 07.19 | WAVE 300-STAINLESS ARC STOPPER | - | 9980343 | |
| 07.20 | WAVE - BUMPER ASSY | - | 9991013 | |
| 07.21 | WAVE - NON RETURN DIAPHRAGM | - | 9980378 | |
| 07.22 | WAVE 300-STAINLESS ARC FOR BRUSH | - | 5580021 | |
| 07.23 | WAVE - PVC TUBE FOR BRUSH | - | 6100917 | |
| 07.24 | WAVE-ADAPTOR FOR BRUSH SPINDLE | - | 9980385 | |
| 07.25 | BRUSH FOR SIDE - WAVE | 5590054A | 5590054-ASSY | |
| 07.26 | WAVE CENTRAL BRUSH | 9982410 | 9982410 | |
| 07.28 | LONG TENSION SPACERS | - | 9980341 | |
| 07.29 | DOUBLE CUT 36 MM WASHER | - | 3500030 | |
| 07.AJ | NUT M5 A2 | - | 3500005 | |
| 07.A.Q | NUT M5 A2 DIN 985 | - | 3509350 | |
| 07.A.S | STAR WASHER M5 DIN6798 A2 | - | 3606798 | |
| 07.A.T | WAVE - CABLE HOLDER | - | 2151437 | |
| 07.A.Y | CIRCLIP DIA.8MM A2 | - | 3506799 | |
| UPG1 | UPGRADE KIT TO WAVE 300XL 2018 | - | 9993190 | |
| UPG2 | UPGRADE KIT WAVE XL DRIVE SYS. | - | 9993191 | |
| UPG3 | TOOL: WAVE PM KIT | - | 9991034-ASSY | |