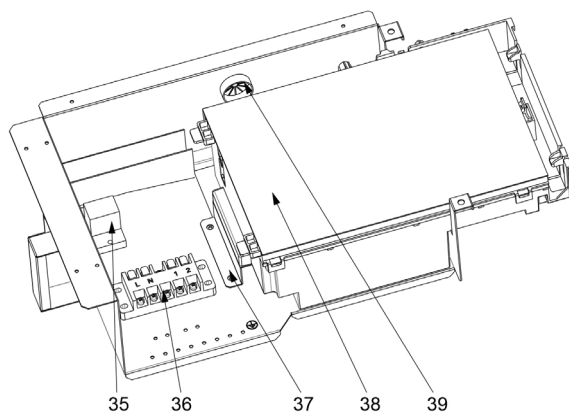
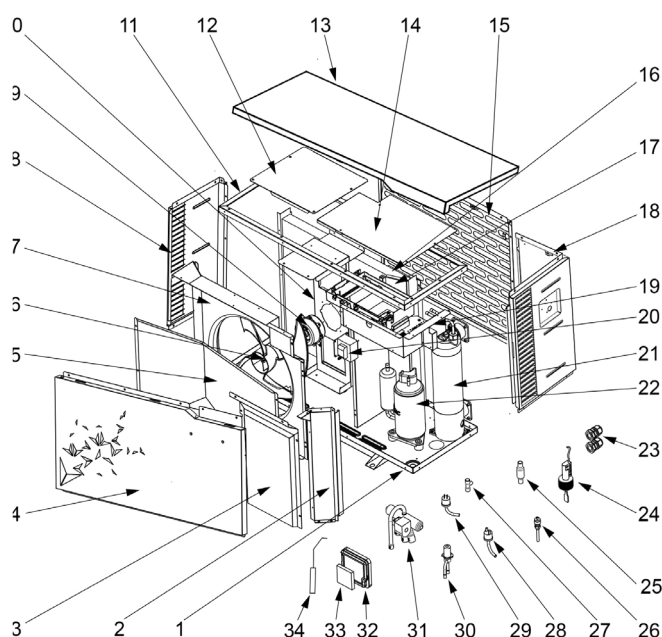


## S.LINE PRO Fi HP5081DT3LV / HP5111DT3LV / HP5151DT3LV



HP5081DT3LV  
HP5111DT3LV  
HP5151DT3LV

Ver  
vídeo de  
instalación



	DESCRIPCIÓN	REF.	UD/CAJA	PRECIO €
4	<b>PANEL DELANTERO</b> HP5081DT3LV / HP5111DT3LV HP5151DT3LV	HWX80715842 HWX80715857	1 1	
6	<b>HÉLICE VENTILADOR</b> HP5081DT3LV / HP5111DT3LV HP5151DT3LV	HWX301030000006 HWX20000270004	1 1	
8	<b>PANEL DE LA IZQUIERDA</b> HP5081DT3LV / HP5111DT3LV HP5151DT3LV	HWX80713420 HWX80713423	1 1	
9	<b>MOTOR VENTILADOR DC</b> HP5081DT3LV / HP5111DT3LV HP5151DT3LV	HWX80200018 HWX20000330132	1 1	
10	<b>SOPORTE DEL MOTOR</b> HP5081DT3LV / HP5111DT3LV HP5151DT3LV	HWX80708597 HWX80709977	1 1	
13	<b>PANEL SUPERIOR</b> HP5081DT3LV / HP5111DT3LV HP5151DT3LV	HWX80708601 HWX80709984	1 1	
15	<b>PANEL POSTERIOR</b> HP5081DT3LV / HP5111DT3LV HP5151DT3LV	HWX80710829 HWX80710966	1 1	
16	<b>EVAPORADOR DE ALETA</b> HP5081DT3LV HP5111DT3LV HP5151DT3LV	HWX80600849 HWX80600781 HWX80600835	1 1 1	
18	<b>PANEL DERECHO</b> HP5081DT3LV / HP5111DT3LV HP5151DT3LV	HWX80713421 HWX80713424	1 1	
20	<b>BOBINA DE REACTANCIA</b> HP5081DT3LV / HP5111DT3LV HP5151DT3LV	HWX82500020 HWX82500021	1 1	
21	<b>CONDENSADOR DE TITANIO/PVC</b> HP5081DT3LV HP5111DT3LV HP5151DT3LV	HWX80600939 HWX80600940 HWX80600096	1 1 1	

	DESCRIPCIÓN	REF.	UD/CAJA	PRECIO €
	<b>COMPRESOR</b>			
22	HP5081DT3LV / HP5111DT3LV	HWX20000110448	1	
	HP5151DT3LV	HWX80100046	1	
	<b>PRESA ESTOPAS</b>			
23	HP5081DT3LV / HP5111DT3LV	HWX20012249	1	
	HP5151DT3LV	HWX20012238	1	
	<b>DETECTOR DEL CAUDAL DE AGUA</b>			
24	HP5081DT3LV / HP5111DT3LV / HP5151DT3LV	HWX83000068	1	
	<b>FILTRO (Ø9.7-Ø9.7)</b>			
25	Ø19MM - HP5081DT3LV / HP5111DT3LV	HWX20000140178	1	
	Ø28MM - HP5151DT3LV	HWX20041444	1	
	<b>TOMA DE PRESION</b>			
26	40MM 1/2" - HP5081DT3LV / HP5111DT3LV / HP5151DT3LV	HWX20000140150	1	
	<b>CONECTOR T</b>			
27	Ø9.52-2 X Ø6.35(T) X 1.0 - HP5081DT3LV / HP5111DT3LV	HWX30403000002	1	
	Ø6.5-2 X Ø6.5(T) X 0.75 - HP5151DT3LV	HWX20001460	1	
	<b>PRESOSTATO BAJA PRESION NO</b>			
28	0.30MPA/0.15MPA - HP5081DT3LV / HP5111DT3LV / HP5151DT3LV	HWX20000360157	1	
	<b>PRESOSTATO DE ALTA PRESION NC</b>			
29	3.2MPA/4.4MPA - HP5081DT3LV / HP5111DT3LV / HP5151DT3LV	HWX20013605	1	
	<b>SENSOR ARRANCADOR ELECTRONICO</b>			
30	HP5081DT3LV / HP5111DT3LV	HWX81000011	1	
	HP5151DT3LV	HWX81000017	1	
	<b>VALVULA 4 VIAS</b>			
31	HP5081DT3LV / HP5111DT3LV	HWX20041437	1	
	HP5151DT3LV	HWX20000140485	1	
	<b>PUERTA DE PROTECCION</b>			
32	HP5081DT3LV / HP5111DT3LV / HP5151DT3LV	HWX80901004	1	
	<b>REGULADOR LED</b>			
33	HP5151DT3LV HP5081DT3LV / HP5111DT3LV / HP5151DT3LV	HWX72200312	1	
	<b>SONDA DE SALIDA DE AGUA 5K-410MM</b>			
34a	HP5081DT3LV / HP5111DT3LV / HP5151DT3LV	HWX83000050	1	
	<b>SONDA DE ENTRADA DE AGUA 5K-850MM</b>			
34b	HP5081DT3LV / HP5111DT3LV / HP5151DT3LV	HWX83000052	1	
	<b>SONDA DE DESCARGA COMPRESOR</b>			
34c	50K-600 MM - HP5081DT3LV / HP5111DT3LV / HP5151DT3LV	HWX83000026	1	
	<b>SONDA DE ASPIRACION COMPRESOR</b>			
34d	5K-560MM - HP5081DT3LV / HP5111DT3LV	HWX83000044	1	
	5K-760MM - HP5151DT3LV	HWX83000053	1	
	<b>SONDA DE DESCONGELACIÓN</b>			
34e	5K-680MM - HP5081DT3LV / HP5111DT3LV	HWX83000051	1	
	5K-1040MM - HP5151DT3LV	HWX83000045	1	
	<b>CAJA DE CONEXIONES L-N-GND REACTANCIA</b>			
34	HP5081DT3LV / HP5111DT3LV / HP5151DT3LV	HWX83000049	1	
	<b>RELÉ K2</b>			
35	HP5081DT3LV / HP5111DT3LV / HP5151DT3LV	HWX20000360297	1	
	<b>TARJETA CONDENSADOR</b>			
36	BORNA L-N-GND -5 CONEXIONES 4MM <sup>2</sup>		1	
	HP5081DT3LV / HP5111DT3LV / HP5151DT3LV	HWX40003901	1	
	<b>TARJETA ELECTRONICA MADRE</b>			
38	HP5081DT3LV	HWX72200168SL08	1	
	HP5111DT3LV	HWX72200168SL11	1	
	HP5151DT3LV	HWX72200168SL15	1	
	<b>CUBIERTA DE INVIERNO</b>			
/	HP5081DT3LV / HP5111DT3LV	HWX84100198	1	
	HP5151DT3LV	HWX84100199	1	